

G101AD-A

10.1" Intel® Core™ i5-1235U Rugged Robotic Controller



KEY FEATURES

- 10.1" 1920 x 1200 IPS LED Panel with direct optical bonding
- Intel® Core™ i5-1235U processor
- All-weather, dust, and water-resistant design (IP65). MIL-grade drop, Shock and vibration
- Supports WIFI, BT and optional 4G/5G
- With one removable battery

INTRODUCTION

Winmate's Rugged Handheld Robotic Controller Series is a versatile and durable solution tailored for robotics, defense, public safety, and industrial automation. Available in sizes from 5.5" to 10.1", these controllers support Windows, Android, and Linux, providing flexibility for various applications. Featuring IP65-rated water and dust resistance, along with MIL-grade shock and vibration protection, they are built for all-weather reliability. With PCAP touchscreens, Intel or ARM processors, Wi-Fi, BT, and optional 4G connectivity, these robotic controllers deliver robust performance in demanding environments.

SPECIFICATIONS

Display			
Resolution	1920x1200	Size	10.1 inches
Contrast Ratio	800:1	Panel Brightness	800.0 nits
View Angles	85,85,85,85	Bonding	Optical Bonding for Sunlight Viewability
Type	Projected Capacitive Multi Touch	Viewability	AG+AF touch treatment
System Specification			
Processor	Intel® Core™ i5-1235U 3.3GHz(up to 4.40 GHz)	Memory	8GB RAM, up to 32GB
Storage	128GB, up To 2TB SSD	Security	Trusted Platform Module (TPM) 2.0
Operating System	Windows 10 IoT Enterprise LTSC (64 bit) Windows 11 IoT Enterprise LTSC (64 bit) (Optional) Linux Ubuntu 22.04 (Optional)	WLAN	Support
BT	Support	WWAN	4G LTE (Optional) 5G (Optional)
GNSS	GPS/GLONASS		
Mechanical			
Dimension	317.75 x 188.87 x 35.8 mm	Weight	1.6kg
Cooling System	Fan Design		
IO Ports			
USB Port	1 x USB 3.0 (Type-A) 1 x USB 3.0 (Type C)	Video	1 x micro HDMI output(Optional)
Audio	2x Speaker	LAN	1 x M10 LAN Connector (Mutually exclusive with RF Module)
Environment			

Operating Humidity	10% to 90% RH, non-condensing	Operating Temperature	-20°C to 60°C (AC mode), -10°C to 50°C (Battery mode)
Storage Temperature	-30°C to 70°C (-22°F to 158°F)	Shock	MIL-STD-810H Method 516.8 Procedure I
Vibration	MIL-STD-810H Method 514.8 Procedure I	IP rating	IP65

Certification

Certification	CE, FCC
----------------------	---------

Control

Button	Left Side: 1 x Two Band Toggle Switch 1 x Joystick 1 x Roller switch 4 x Buttons Right Side: 1 x Two Band Toggle Switch 1 x Joystick 1 x Roller switch 3 x Buttons 4 x Buttons (Optional)
---------------	---

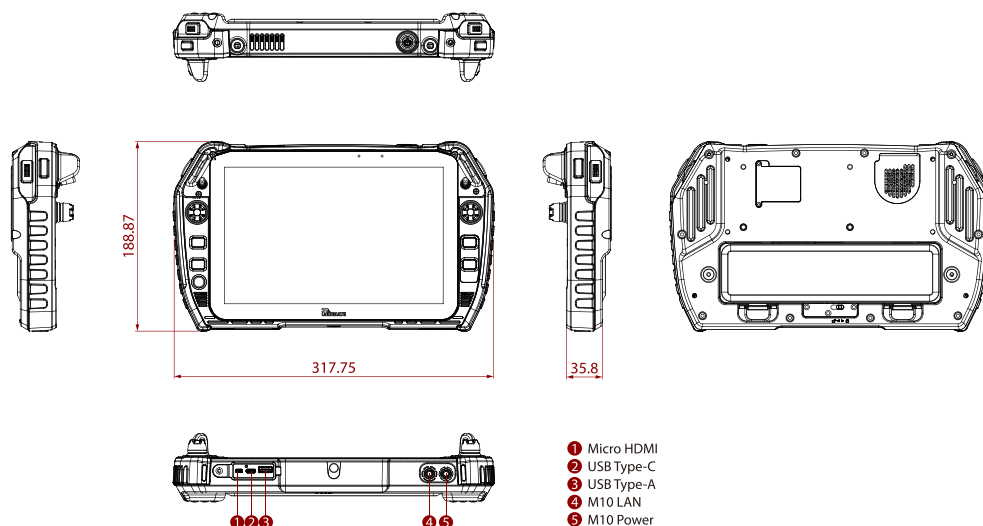
Power

Battery	10.9 V, typ. 6700 mAh Lilon Removable Battery (3S2P)	Battery Operating Time	Standard Battery : 10.5hrs
Power Rating	19V DC	Adapter	100-240V, 50-60Hz / 19V DC

Accessory

Accessory	1 x Adapter 120W 1 x M10 Push-pull Power Cable, DC Plug Type 1 x M10 Push-pull LAN 1 x Power Cord	Optional Accessory	Microhard pMDDL2450 (Mutually exclusive with LAN)
------------------	--	---------------------------	---

DIMENSIONS UNIT:MM



NOTE

1. This is a simplified drawing and some components are not marked in detail.
2. Please contact our sales representative if you need further product information.
3. All specifications are subject to change without prior notice.
4. The product shown in this datasheet is a standard model. For diagrams that contain customized or optional I/O, please contact the Winmate Sales Team for more information.