

R15IB3S-65EX

15" Intel® Celeron® N2930 ATEX Panel PCs



KEY FEATURES

- 15" 1024 x 768, PCAP touchscreen, ATEX Panel PCs
- Class 1, Division 2 & ATEX Zone 2 & IECEx Zone 2 device certified for hazardous area application
- Stand-alone solution for use in Ex Zone 2 hazardous areas
- Intel® Celeron® Processor N2930
- Fanless design with streamlined enclosure for highly efficient heat dissipation



OVERVIEW



Certified for Hazardous Locations

The R15IB3S-65EX is ATEX Zone 2 certified computers for remote data collection, process visualization, and control. Suitable for the deployment in ATEX Zone, where safety is the priority.



Real-Time Production Monitoring and Control

Take production control to the next level with real-time data monitoring and visualization. The R15IB3S-65EX is a stainless ATEX panel PC with a set of features designed to withstand industrial use in hazardous locations and extreme temperatures while providing high tech solutions that increase productivity, improve safety, and reduce operational costs.



Stable Performance and Fanless Thermal System

The processing power comes from Intel® Celeron® N2930 processor paired with genuine Intel graphics for stable computing performance and ultra-low power consumption. Fanless, streamlined enclosure for highly efficient heat dissipation.



Ultimate Touch Experience

Enhance customer experience with PCAP touch that supports multi-touch and can easily be controlled by fingers. Enjoy every touch and convenience when using the R15IB3S-65EX, and experience the ultimate durability in some of the most demanding applications, such as a control panel of a drilling rig.



Suitable for Wide Working Temperatures

The R15IB3S-65EX ATEX panel PC is rated for a wide temperature use -20°C to 50°C and suitable for operating in outdoor or hazardous environments, whether there are blistering hot or cold temperatures.

SPECIFICATIONS

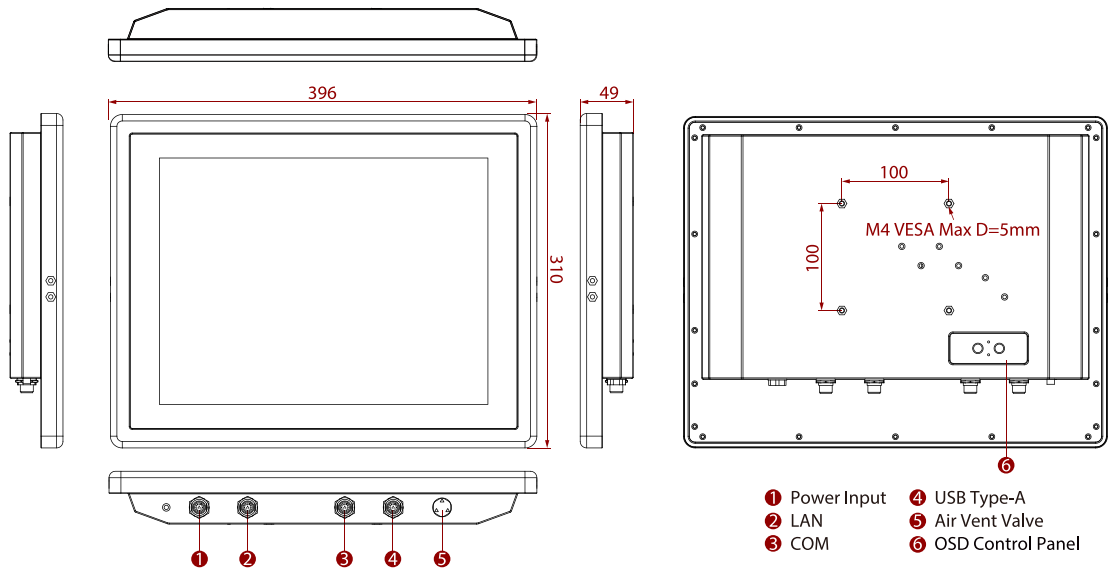
System Specification

Processor	Intel Celeron N2930 1.83GHz (up to 2.16GHz)	Memory	1 x SO-DIMM, DDR3L 1600 MHz, 4GB 8GB (Optional)
-----------	---	--------	---

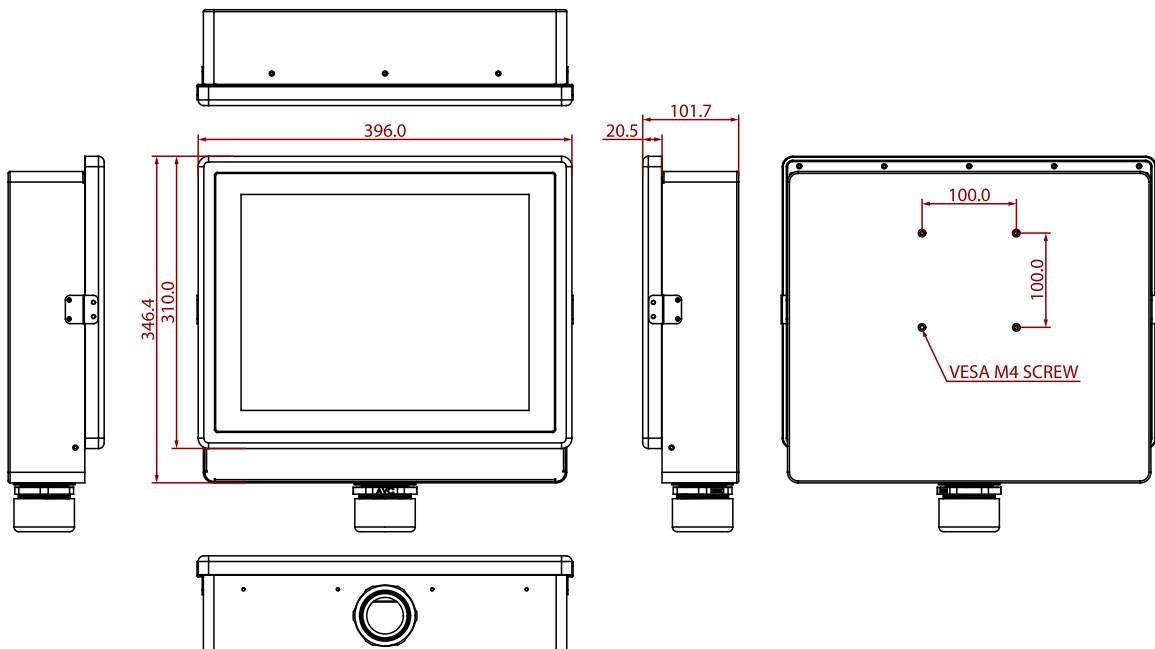
Storage	1 x mSATA SSD 128GB 256GB (Optional) 512GB (Optional)	Ethernet controller	1 x Intel® Ethernet Controller
Operating System	Windows 10 IoT Enterprise (64 bit) (Optional) Linux Ubuntu 20.04 (Optional)		
Display			
Touch / Glass	Projected Capacitive Multi Touch Screen Bonding With Panel	Resolution	1024x768
Size	15.0 inches	Contrast Ratio	2000:1
Panel Brightness	550 nits 1000 nits(Optional)	View Angles	88,88,88,88
Active Area	304.1x228.1 mm		
Mechanical			
Dimension	396 x 310 x 49 mm (Without Box Cover) 396 x 346.4 x 101.7 mm (With Box Cover)	Weight	5.7 kg (Without Box Cover) 10.2 Kg (With Box Cover)
Mounting	VESA Mount	Enclosure	Stainless Housing
Cooling System	Fanless design		
Environment			
Operating Humidity	10% to 95% RH, Non-Condensing	Operating Temperature	-20°C to 60°C
Storage Temperature	-30°C to 70°C	Shock	MIL-STD-810G Method 516.6 Procedure I (Optional)
Vibration	MIL-STD-810G Method 514.6 Procedure I	IP rating	IP65
Drop	MIL-STD-810G Method 516.6 Procedure IV		
Certification			
Certification	CE, FCC UL 60950-1 CAN/CSA C22.2 No. 60950-1-07 EN 62368-1 Class I, Div.2, Groups A,B,C,D T4 -20 <= Tamb <= 50 Meet Standards ANSI/ISA-12.12.01-2012 CSA/CSA C22.2 No. 213-M1987 ATEX II 3G Ex ic nA IIC T4 Gc -20 <= Tamb <= 50 Meet Standards EN 60079-0, EN 60079-11, EN 60079-15 IECEX Ex nA IIC T4 Gc -20 <= Tamb <= 50 Meet Standards IEC 60079-0, IEC 60079-15		
IO Ports			
Power Input	1 x 9~36V DC, M12 Type connector	USB Port	1x M12 type connector for 2 x USB2.0
Serial Port	1 x M12 connector for RS232/422/485 (Default RS232)	Expansion Port	1 x mPCIe slot(for SATA III SSD) 1 x mPCIe slot(for Wi-Fi module)
LAN	1 x M12 type connector for Giga LAN	Indicator	1 x LED Indicator for power 1 x LED Indicator for storage
Control			
Button	1 x Power Button 1 x Reset Button		
Accessory			
Accessory	100~240V AC to DC Power Adapter with M12 Connector Power Cord M12 Type Power Cable M12 Type RS232 Male Cable M12 Type USB Female Cable M12 Type LAN Cable RJ45 female-female converter USB Adapter (USB type A to type B) VESA screws		

DIMENSIONS UNIT:MM

w/o Box Cover



With Box Cover



NOTE

1. Total usable memory will be less dependent upon actual system configuration.
2. Length measurements do not include protrusions. Weight varies with options.
3. Measured at maximum backlight and high CPU load.
4. Accessories and Integrated Options may vary depending on your configuration.
5. The product shown in this datasheet is a standard model. For diagrams that contain customized or optional I/O, please contact the Winmate Sales Team for more information.