

# AIM-68H

## 10.1" Medical-Grade Tablet with Intel® Alder Lake-N Processor



### Features

- Performance - Intel® N200 processor support on Windows 10/11 Enterprise
- High resolution - WUXGA 1920 x 1200 resolution with anti fingerprint, anti-glare Corning® Gorilla® Glass
- EN/UL 60601 certification - ensuring patient and medical staff safety by protecting against excessive heat and electronic interference
- Customized I/O - 16-pin pogo connector for Office/VESA Docking Stations
- Accurate patient data capture - Built-in Barcode Scanner/NFC Reader provide
- Rapid Access to Critical Patient Data - LPDDR5 RAM/m.2 NVMe SSD
- High speed connectivity - Built-in Wi-Fi 6E, Bluetooth 5.3
- Ruggedness - IP65-rated & 4-ft drop tolerance
- Equipped with DeviceOn iService Suite software for remote device management

### Introduction

AIM-68H tablet is a slim, multi-functional, Intel-powered 12th Alder Lake-N N200 processor high performance tablet for medical uses. The IP65 water/dustproof 10.1" IPS Full HD screen with capacitive 10-point multi-touchscreen, anti-fingerprint (AF), anti-glare (AG), Gorilla Glass, could support touch mode under glove, water puddle. Built-in Wifi 6E, Bluetooth 5.3 supports fast, steady connectivity. Internal front (5M) and rear (13M) camera provide picture capturing wherever. Shock/vibration compliant tested on our rugged design with 4ft (1.2m) drop tolerance. ITE/Medical grade dual certification are ready for indoor and healthcare environment.

Moreover, AIM-68H is equipped with Advantech's DeviceOn - iService Suite software, which is a next-generation unified device management solution based on the WISE-DeviceOn platform. With support for batch operations and multi-device control, DeviceOn - iService Suite enables easy device configuration and deployment for convenient remote device management.

### Specifications

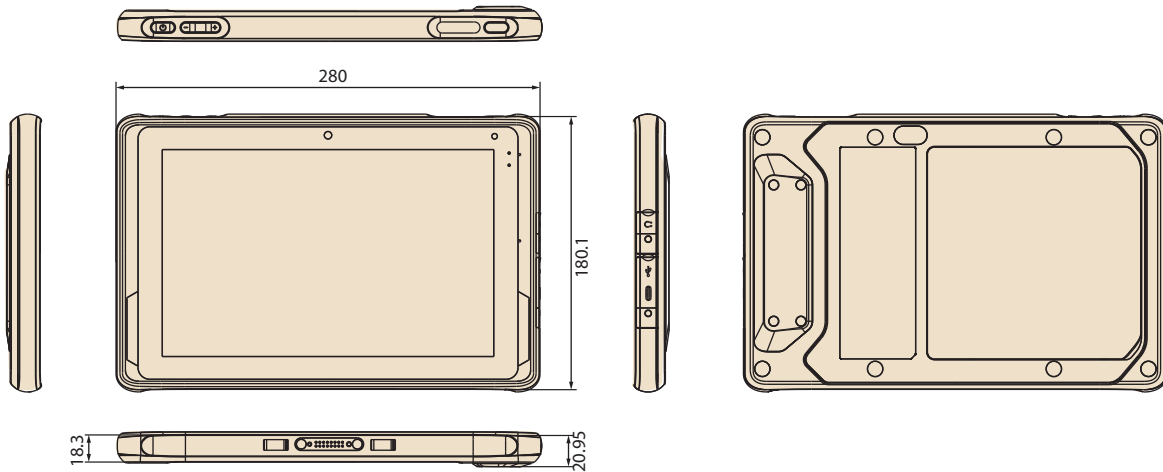
System	Processor	Intel® N200 Processor quad-core (6M Cache, up to 3.70 GHz)
	Memory	8GB LPDDR5
	OS	Windows 10 IoT Enterprise (Windows 11/Linux OS Optional)
Storage	SSD	m.2 NVMe SSD 128 GB (256GB Optional)
Display	Type	10.1" IPS LCD
	Resolution	WUXGA 1920x1200
	Brightness	800 cd/m <sup>2</sup>
	Touch Type	10-point multi-touch P-CAP touch control
	Glass Type	Corning® Gorilla® Glass 3 (Anti-Fingerprint, Anti-Glare)
	Touch mode	Normal, Glove
Communication	WLAN	IEEE 802.11 a/b/g/n/ac/ax (Wi-Fi 6E)
	Bluetooth	Bluetooth® v5.3
	NFC	13.56 MHz, compatible with ISO15693, ISO14443A, ISO 14443B, FeliCa
Connectivity	Standard I/O	1x USB3.1 Type-C for Charging & DP, 1x USB 3.1 Type-A
	Extended I/O	1 x AIM extension 14-pin pogo connector: 1 x USB 2.0, 1 x 2-wire UART, 5V/1A power
	Docking	1 x AIM docking 16-pin pogo connector: 1 x USB 3.0, 12V power
Audio	Audio Jack	1 x Audio combo jack (combines stereo audio output and mono microphone input)
	Speaker	2 x Internal water proof speakers (2 W)
Camera	Front	5.0-megapixel fixed-focus camera
	Rear	13.0-megapixel auto-focus camera with LED flash
Barcode Scanner (Optional)		Integrated 1D/2D barcode scanner
Sensors		Ambient Light Sensor, e-Compass, G-sensor, Gyroscope
Control Buttons		1 x Power button, 2 x Volume key (up/down), 1 x Programmable button
System Indicator		Full: green (100%); Charging: blue; Low: orange ( 10%)

## Specifications (Cont.)

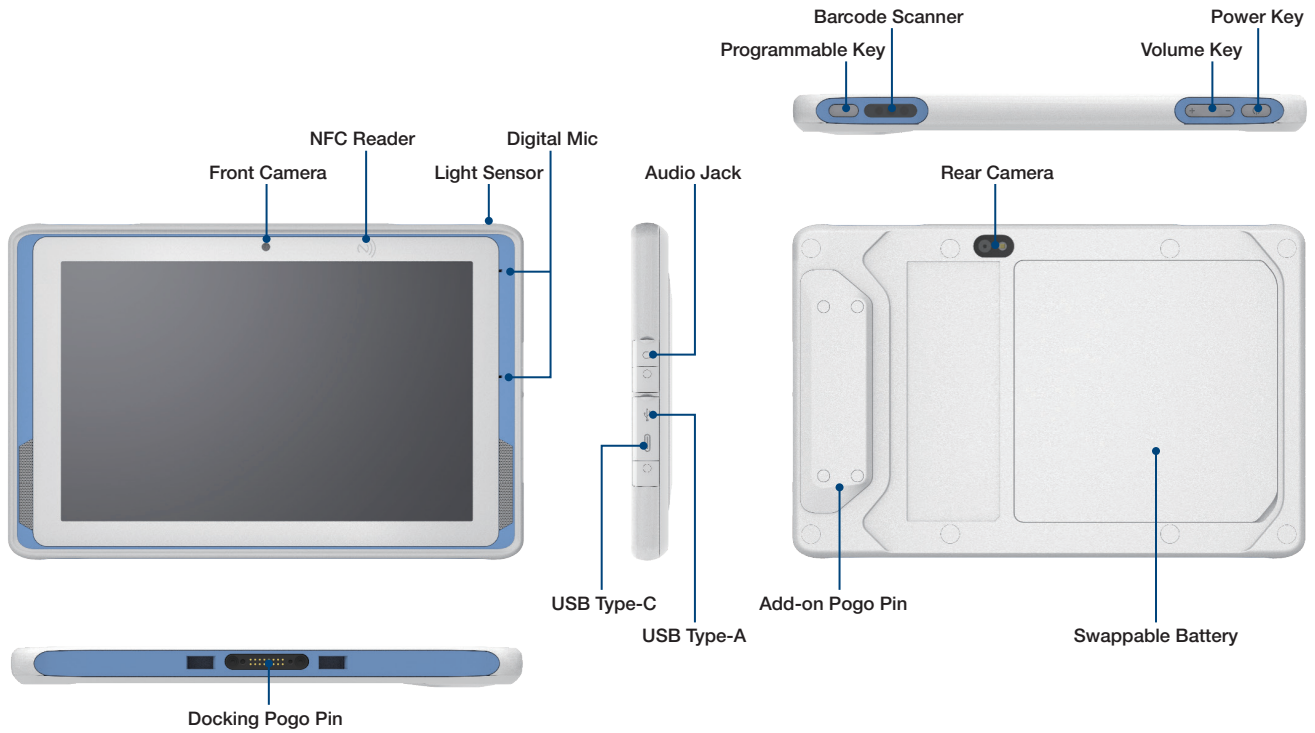
Power System	Input Voltage	USB Type-C: 20V/3.25A Docking pogo: 12V/2A	
	Battery	Smart battery with capacity LED indicators; 11.55V, 4010mAh, 46.31Wh Operating time: Up to 5.5 hours (depending on usage scenario) Charging time: < 3 hours	
Environment	Operating Temperature	0 ~ 40°C (32°F – 104°F)	Discharging: 0 ~ 40°C (32°F – 104°F) Charging: 0 ~ 35°C (32°F – 95°F)
	Storage Temperature	-20 ~ 60°C (-4 ~ 140°F)	
	IP Rating	IP65	
	Shock	IEC60068-2-27	
	Vibration	IEC60068-2-64	
	Drop Tested	Up to 120 cm (4 ft) onto plywood over concrete	
	Humidity	Operating: 95% @40°C non-condensing Storage: 95% @60°C non-condensing	
Security	TPM 2.0		
Warranty	Standard 2 years		
Physical Characteristics	Dimension (W x D x H)	280 x 18.3 x 180.1 mm (11 x 0.7 x 7.1 in)	
	Weight	1.1 kg (2.4 lb)	
	Color	White/Blue	
Certifications	FCC, CE, UKCA, IEC/EN/UL60601-1, EN 60601-1-2, TELEC, VCCI, CCC, RCN, IC		

## Dimensions

Unit: mm



## System Layout



## Ordering Information

Part Number	CPU	Memory	Storage	Barcode Scanner	OS
AIM-68H-202000	N200	8GB	128GB	X	Windows 10 LTSC 21H2
AIM-68H-202B00	N200	8GB	128GB	V	Windows 10 LTSC 21H2

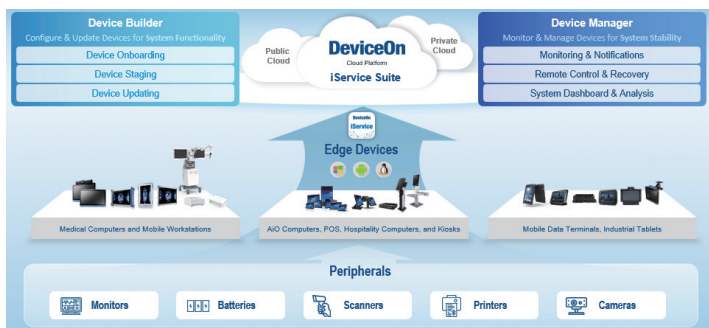
## Optional Accessories

Part Number	Description
1702002600	US - Power Cord UL 3P 10A 125V 183cm
1702002605	EU - Power Cord EU 3P 10A 250V 183cm
1700009652	CN - Power Cord CCC 3P 10A 250V 187cm
1700000237	JP - Power Cord PSE 3P 12A 125V 183cm
1702031801	UK - Power Cord BSI 3P 10A 250V 183cm

## Packing List

Description
1 x AIM-68H tablet
1 x AC/DC adaptor

# DeviceOn - iService Suite



## Introduction

Advantech's DeviceOn - iService Suite is an advanced remote device management solution that enables you to centrally manage your devices, minimizing the need for expensive on-site visits and saving your valuable time and resources. Device Builder ensures that your devices are always up-to-date with the latest configuration and software updates, reducing the risk of data breaches and other security threats. Meanwhile, Device Manager helps to ensure that your devices are functioning correctly, reducing downtime and enhancing productivity.

## Key Functions

### Device Builder



#### Device Onboarding

- Support Windows, Linux, Android devices
- Quick enrollment process



#### Device Staging

- OS configuration
- Software/peripheral watchlist
- Device label, Location management



#### Device Updating

- Cloud software storage
- Installation package for multiple software updating
- Android OS upgrading

### Device Manager



#### Monitoring & Notifications

- Connection/hardware status
- Software/peripheral status
- Device abnormal notifications



#### Remote Control & Recovery

- Reboot & power controls
- Audio & backlight settings
- Screenshots & remote desktop / SSH



#### System Dashboard

- Devices working status
- Software version sync status
- Results of scheduled tasks

## Services & Specifications

Functions List	OS Platform			Service Type	
	Windows	Android	Linux (Ubuntu)	Builder	Manager
	10, 11	8, 10, 12	20.04, 22.04, 24.04		
Device Onboarding - Enrollment, Locations and Labels	✓	✓	✓	✓	✓
Profile - OS Settings (KIOSK Mode, ON/Off Schedule, others are OS dependent)	✓ (LTSC)	✓		✓	✓
Profile - Alarm Rules, Software & Peripheral Monitoring, Task Schedule	✓	✓	✓		✓
OTA Update - Installation Packs, Software Storage, Android OS	✓	✓	✓	✓	✓
Monitoring - Device Hardware (CPU/RAM/Storage/Battery)	✓	✓	✓		✓
Monitoring - Advanced Battery Management	✓ (Dependent on battery model)				✓
Monitoring - Device Software (Running Status/CPU & Memory Usage)	✓	✓	✓		✓
Monitoring - Peripherals & Display (Connect Status)	✓	✓	✓ (USB Only)		✓
Control - Audio volume & Backlight	✓	✓	✓		✓
Control - Screenshot, Reboot, Shutdown	✓	✓	✓		✓
Control - Schedule Tasks	✓	✓	✓		✓
Control - Remote Desktop	✓	✓	20.04 support		✓
Control - Remote SSH			✓		✓

## Ordering Information

Ordering P/N	Cloud Type	Description
36CSDOISSASP01	SaaS subscription	DeviceOn - iService Suite device annual fee (365 days)
36CSDOISPSRP01	On-premise server	DeviceOn - iService Suite device license (perpetual)
36CSDOISPSRP02	On-premise server	Server software license and installation fee for new deployment
36CSDOISPSRP03	On-premise server	Annual maintenance fee after warranty

# AIM-68H VESA Docking Station



## Features

- 9 ~ 32 V wide input voltage range
- VESA (75 x 75 mm)-compliant docking stations
- -10 ~ 50 °C (14 ~122 °F) operating temperature
- Reliable docking connector for office applications

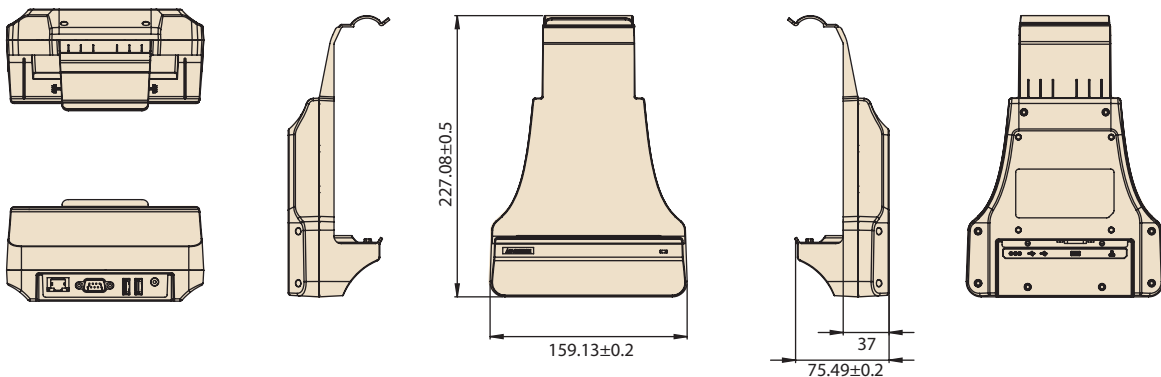
CE FCC

## Specifications

		Advanced VESA Docking Station	VESA Docking Station with USB
I/O		2 x USB 3.0 1 x RS-232 COM 1 x Gigabit LAN 1 x Power jack	2 x USB 2.0 1 x Power jack
Stand		N/A	N/A
Power	Input Voltage	9 ~ 32 V	19 V
Mechanical	Dimensions (W x D x H)	159.13 x 75.49 x 227 mm (6.3 x 2.9 x 8.9 in)	159.13 x 75.49 x 227 mm (6.3 x 2.9 x 8.9 in)
	Weight	0.33 kg (0.72 lb)	0.32 kg (0.71 lb)
Environment	Operating Temperature	-10 ~ 50 °C (14 ~122 °F); 0 ~ 40 °C (32 ~104 °F) for charging	-10 ~ 50 °C (14 ~122 °F); 0 ~ 40 °C (32 ~104 °F) for charging
	Storage Temperature	-20 ~ 70 °C (-4 ~ 158 °F)	-20 ~ 70 °C (-4 ~ 158 °F)
	Safety	UL, CB, LVD, CCC	UL, CB, LVD, CCC
	Certifications	CE, FCC, CCC	CE, FCC, CCC

## Dimensions

Unit: mm



## Ordering Information

Part Number	Description
AIM-VSD0-1001	AIM 10 advanced VESA docking station
AIM-VSD0-1003	AIM 10 VESA docking station with USB
XAIM-FSP065-DBC01	Adapter A/D 100-240V 65W 19V C8 DC JACK MEDICAL

## Optional Accessories

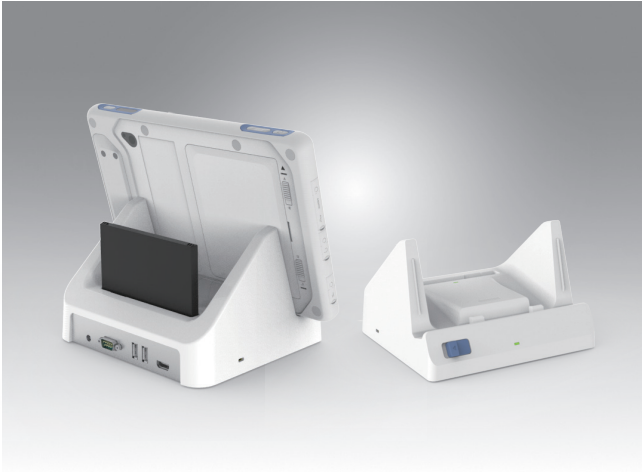
Part Number	Description
1700029083-01	Power cable, UL, 2P, 10A, 125V, 112 cm (US)
1700001949	Power Cord(UK) BSI 2P 2.5A 250V 183cm
1700029278-01	Power Cord (Japan) PSE 2P 7A 125V 183cm
1700029279-01	Power Cord (NZ/AU) SAA 2P 2.5A 250V 183 cm
1700008972	Power cord (China)CCC 2P 2.5A 250 V 183 cm
1700001948-11	Power cord (EU) EU 2P 2.5A 250 V 183 cm
1700021662-01	Power Cord (TW) BSMI 2P 2.5A 125V 183cm

## Packing List

Item	AIM-VSD0-1001	AIM-VSD0-1003
1	1 x VESA Dock (Advanced I/O)	1 x VESA Dock (Charging & USB Only)

Note: The packing list doesn't include adapter and power cord. Please order based on following PNs.

# AIM-68H Desk Docking Station



## Features

- 10 ~ 50 °C (14 ~122 °F) operating temperature
- Reliable docking connector for office applications

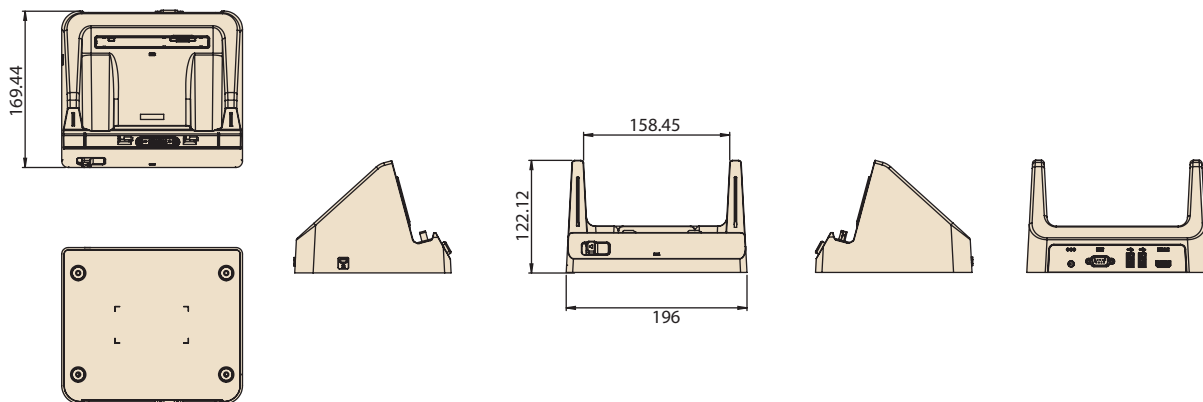
CE FCC CCC

## Specifications

		Advanced Desk Docking Station	Desk Docking Station with USB
I/O		2 x USB 2.0 1 x RS-232 COM 1 x Power jack 1 x HDMI 1 x Battery charging bay	2 x USB 2.0 1 x Power jack
	Power	Input Voltage 19 V	19 V
Mechanical	Dimensions (W x D x H)	196 x 169.44 x 122.12 mm (7.72 x 6.67 x 4.81 in)	196 x 169.44 x 122.12 mm (7.72 x 6.67 x 4.81 in)
	Weight	0.76 kg (1.68 lb)	0.75 kg (1.65 lb)
Environment	Operating Temperature	-10 ~ 50 °C (14 ~122 °F); 0 ~ 40 °C (32 ~104 °F) for charging	-10 ~ 50 °C (14 ~122 °F); 0 ~ 40 °C (32 ~104 °F) for charging
	Storage Temperature	-20 ~ 70 °C (-4 ~ 158 °F)	-20 ~ 70 °C (-4 ~ 158 °F)
	Safety	CE, FCC, CCC	UL, CB, LVD, CCC
	Certifications	UL, CB, LVD, CCC	CE, FCC, CCC

## Dimensions

Unit: mm



## Ordering Information

Part Number	Description
AIM-OFD0-0001	AIM 10 advanced desk dock station
AIM-OFD0-0003	AIM 10 desk dock station with USB
XAIM-FSP065-DBCMI	Adapter A/D 100-240V 65W 19V C8 DC JACK MEDICAL

## Optional Accessories

Part Number	Description
1700029083-01	Power cable, UL, 2P, 10A, 125V, 112 cm (US)
1700001949	Power Cord(UK) BSI 2P 2.5A 250V 183cm
1700029278-01	Power Cord (Japan) PSE 2P 7A 125V 183cm
1700029279-01	Power Cord (NZ/AU) SAA 2P 2.5A 250V 183 cm
1700008972	Power cord (China)CCC 2P 2.5A 250 V 183 cm
1700001948-11	Power cord (EU) EU 2P 2.5A 250 V 183 cm
1700021662-01	Power Cord (TW) BSMI 2P 2.5A 125V 183cm

## Packing List

Item	AIM-OFD0-0001	AIM-OFD0-0003
1	1 x Desk Dock (Advanced I/O)	1 x Desk Dock (Charging & USB Only)

Note: The packing list doesn't include adapter and power cord. Please order based on following PNs.

# AIM-68H Vehicle Docking Station



## Features

- Compatible with 9 ~ 32 V<sub>DC</sub> in-vehicle power supply
- Easy and instant single-handed docking and undocking
- Anti-theft locking mechanism
- External GPS antenna
- Programmable function keys
- High-density connectors
- Compliant with SAE J1455 for vibration and shock tolerance
- Safe and reliable design for vehicle applications



## Specifications

		Fully Configured Unit	Charging Dock Only
I/O	High-Density Connector	1 x CAN bus (supports raw CAN, J1939, OBD-II/ISO 15765) with configurable firmware 5 x Digital inputs 1 x Odometer (supports dry and wet contact) with configurable and switchable firmware (default wet contact) 2 x Digital outputs (supports speed pulse) 1 x RS-232 (4 wire) 1 x RS-232/485 (2 wire) (default RS-485, termination enabled) 1 x USB 2.0 1 x Power input 12 V 1 A	1 x Power input 12 V 1 A
GPS	GPS Extended	1 x External GPS antenna	N/A
Function Keys		5 x Programmable function keys	N/A
Key Lock		Anti-theft key lock (key can be removed)	N/A
Power	Input Voltage	Supports 12/24 V vehicle power (9 ~ 32 V <sub>DC</sub> input range)	
Mechanical	Dimensions (W x D x H)	226 x 83.08 x 250.24 mm (8.9 x 3.27 x 9.9 in)	
	Weight	0.77 kg (1.70 lb)	
Environment	Operating Temperature	-10 ~ 50 °C (14 ~ 122 °F); 0 ~ 40 °C (32 ~ 104 °F) for charging	
	Storage Temperature	-30 ~ 80 °C (-22 ~ 176 °F)	
	IP Rating	IP54	
	Vibration/Shock	SAE J1455	
	Safety	UL, CB, LVD, CCC	
	Vehicle Power Regulation	E-Mark, ISO7637-2	
Certifications		CE, FCC, CCC	

## Ordering Information

Part Number	Description
AIM-VED0-0422	AIM vehicle docking station (full configuration)
AIM-VED0-0423	AIM vehicle docking station (charging only)
1700026766-01	High-density cable
PWS-770-GPSAN00E	External GPS antenna
1700027666-01	Vehicle power cable (In-house engineer testing only)
1700027665-01	Vehicle power cable (vehicle battery)
XAIM-FSP065-DBC1	Adapter A/D 100-240V 65W 19V C8 DC JACK MEDICAL

## Packing List

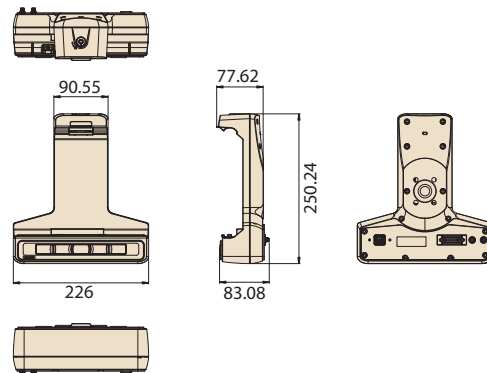
Item	AIM-VED0-0422	AIM-VED0-0423
1	1 x Vehicle Dock(Fully I/O)	1 x Vehicle Dock (Charging Only)
2	1 x Vehicle power cable (vehicle battery)	1 x Vehicle power cable (vehicle battery)

## Optional Accessory

Part Number	Description
RAM-MOUNT-07E	AMPS mount w/VESA base, 1.5" ball

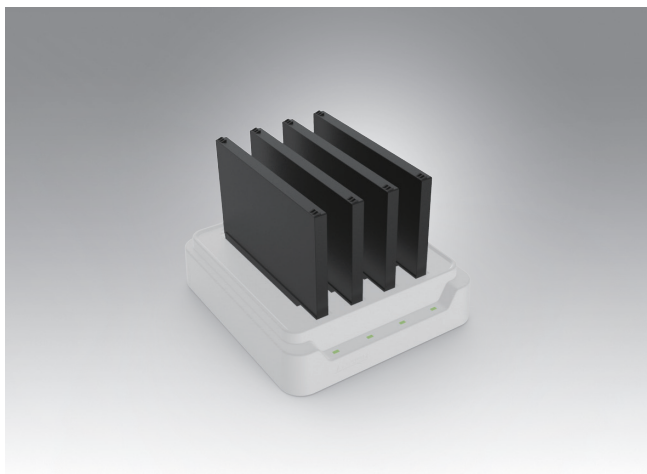
## Dimensions

Unit: mm





# AIM Multi-Battery Charging Station



## Features

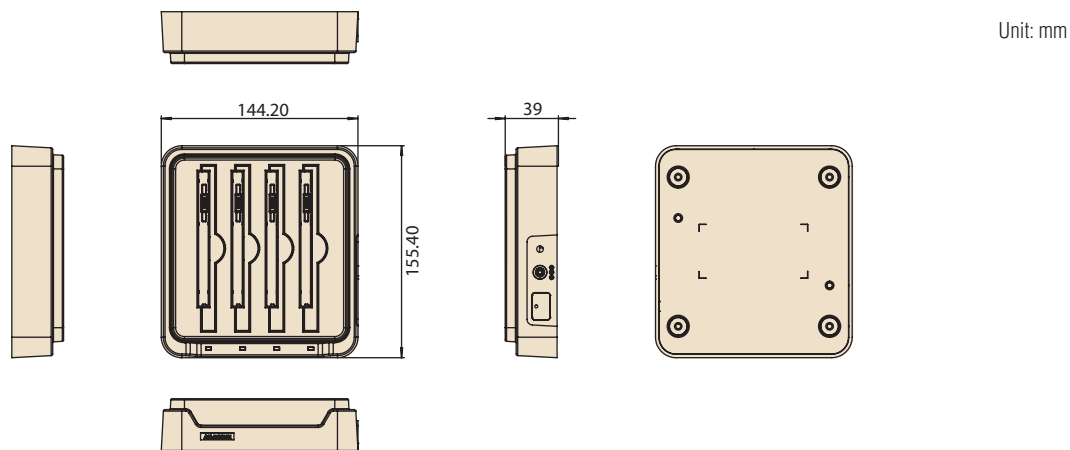
- Supports charging of up to 4 batteries simultaneously
- Overcurrent and overvoltage protection provided
- LED indicators for monitoring charging status



## Specifications

		Multi-Battery Charging Station for AIM
Capacity	Number of Bays	4
	Charging Current	1 A
Power	Charging Voltage	12.6 V
	Input Voltage	19 V
LED Indicators		Green: Full Amber: Charging Red: Error
Mechanical	Dimensions (W x D x H)	144 x 155 x 39 mm (5.7 x 6.1 x 1.5 in)
	Weight	0.48 kg (1.05 lb)
Environment	Operating Temperature	0 ~ 40 °C (32 ~ 104 °F)
	Storage Temperature	-10 ~ 50 °C (14 ~ 122 °F)
	Safety Certifications	UL, CB, LVD, CCC, RCM CE, FCC, CCC, RCM, BSMI

## Dimensions



## Ordering Information

Part Number	Description
AIM-MBCS-0001	Multi-battery charging station for AIM

## Packing List

Item	AIM-MBCS-0001
1	1 x Multi Battery Charger
2	1 x AC/DC adaptor

Note: The packing list doesn't include power cord. Please order based on following PNs.

## Optional Accessories

Part Number	Description
96PSA-A65W19V1-3	ADP A/D 100-240V 65W 19V C6 DC PLUG 180° 62368
1700001524	Power cord (USA) UL 3P 10A 125V 183 cm
1700008921	Power cord (Japan) PSE 3P 7A 125V 183 cm
1700019146	Power cord (China) CCC 3P 10A 250V 183 cm
1700018553	Power cord (NZ/AU) SAA 3P 10A 250V 183 cm
170203180A	Power cord (UK) BSI 3P 10A 250V 183 cm
170203183C	Power cord (EU) 3P 2.5A 250V 183 cm



# AIM-68H Extensions and Accessories

## Extension Modules

**Barcode Scanner (20°)**



**Barcode Scanner (70°)**



**LAN RJ-45 module**



**UHF RFID reader (flat type)**



Part Number	AIM-BCRS-0020	AIM-BCRS-0070	AIM-P531A0 (Black)	AIM-EXT0-0050 (Black)
<b>Features</b>	<ul style="list-style-type: none"> <li>Sensor: 640 x 480 CMOS sensor</li> <li>Illumination &amp; Aiming: White LED illuminator/Red LED dot aimer</li> <li>Frame rate: 30 fps</li> <li>Field of view: Horizontal: 37.8°; Vertical: 28.8°</li> </ul>	<ul style="list-style-type: none"> <li>Sensor: 640 x 480 CMOS sensor</li> <li>Illumination &amp; Aiming: White LED illuminator/Red LED dot aimer</li> <li>Frame rate: 30 fps</li> <li>Field of view: Horizontal: 37.8°; Vertical: 28.8°</li> </ul>	<ul style="list-style-type: none"> <li>Color Black only (Color White Optional)</li> <li>1 x 10/100 Ethernet port</li> </ul>	<ul style="list-style-type: none"> <li>Color Black only (Color White Optional)</li> <li>RFID output: 25W</li> <li>Antenna type: Linear polarization</li> <li>Frequency: EU: 867 ~ 869 MHz</li> <li>Supported tag standard: EPC Class 2, Gen. 2/ ISO 18000-6C</li> </ul>
<b>Dimensions</b>	130.2 x 38.7 x 27.8 mm (5.12 x 1.52 x 1.09 in)	130.2 x 38.7 x 32 mm (5.12 x 1.52 x 1.25 in)	130 x 38.7 x 31 mm (5.12 x 1.52 x 1.22 in)	130.2 x 110.75 x 82.51 mm (5.12 x 4.35 x 3.25 in)
<b>Weight</b>	0.042 kg (0.092 lb)	0.042 kg (0.092 lb)	0.044 kg (0.097 lb)	160 g (0.352 lb)

## Accessories

**Hand Strap**



**Shoulder Strap (Portrait)**



**Shoulder Strap (Landscape)**



**360° rotatable hand strap**



Stylus Holder

Part Number	AIM-SRP0-0000	AIM-SRP0-0001	AIM-SRP0-0002	AIM-SRP0-0004
<b>Features</b>	Black With one stylus holder	Black With one stylus holder	Black With one stylus holder	Black 360° rotatable
<b>Dimensions</b>	240 x 20 mm (9.44 x 0.78 in)	380 x 135 x 20 mm (14.96 x 5.31 x 0.78 in)	1820 x 20 mm (71.65 x 0.78 in)	160 x 160 mm (6.3 x 6.3 in)
<b>Weight</b>	0.022 kg (0.048 lb)	0.05 kg (0.11 lb)	0.05 kg (0.11 lb)	158g (0.35lb)

**Battery with Meter**



**Active Stylus**



Part Number	AIM-BAT0-0552	AIM-P705
<b>Features</b>	11.55V, 4010mAh, 46.31Wh	Silver
<b>Dimensions</b>	118.4 x 116.4 x 8 mm (4.65 x 4.56 x 3.15 in)	140 x 9.7 mm (5.51 x 0.38 in)
<b>Weight</b>	0.21 kg (0.46 lb)	0.02 kg (0.044 lb)