



Features:

- Rugged & compact, fanless designed box structure;
- Powerful Intel Tiger Lake UP3 11th Gen. Core i5-1155G7 processor;
- Single DDR4 memory, up to 32GB, 1* M.2 2280 storage slot;
- DC terminal 12V input, optional wide DC 9~36V power input;
- 2 GLAN, optional with 3G/4G/LTE, 5G, and Wi-Fi/BT expansion;
- 6 USB3.0, 2 USB2.0, 2 HDMI, 6 COM, Audio;
- 2 M.2 expansion slots;
- Industrial operating -20 ~ +70°C temp. range.

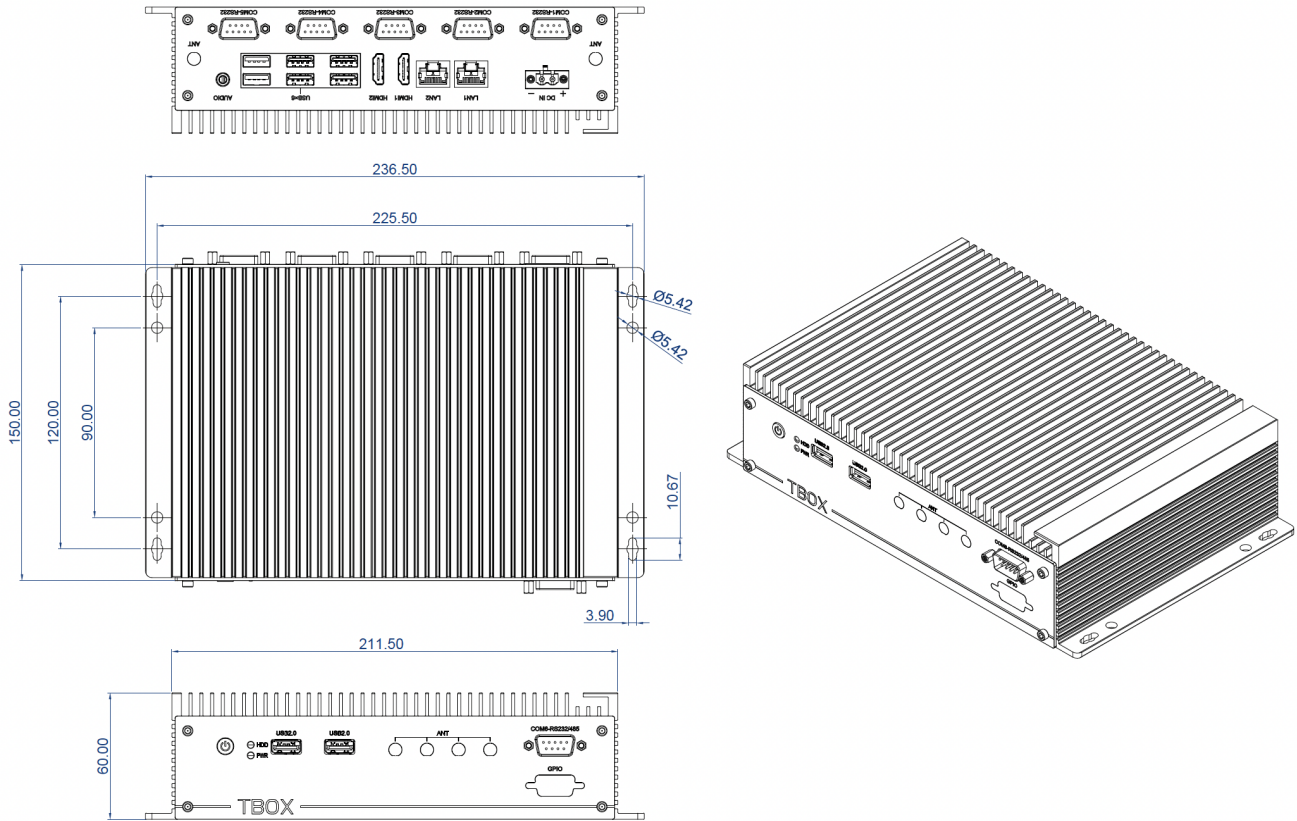
Specification



System	BIOS	SPI AMI EEI BIOS
	CPU	Intel 11 th Gen. Core i5-1155G7 processor
	CPU Ghz	Quad-core, up to 4.2Ghz, TDP 15W (BIOS Fixed)
	TPM	Intel PTTMP2.0
	Memory	SO-DIMM, DDR4-2666/2933/3200 Mhz, Single slot, Max. up to 32GB
	Storage	1* M.2 2280 M-Key slot (PCIe x4 Gen IV, NVMe) SSD, Optional support 1* 2.5" SATA III SSD
	Graphic	Intel Iris Xe Graphics (Up to 80 EUs, 1.3Ghz)
	Network	1* Intel i226V, 1* Intel i219V Network chips, optional support 3G/4G/5G/Wi-Fi/BT wireless
	Audio	On-board Realtek ACL897 Audio controller
	Expansion	1* M.2 (NGFF) B-Key 3042/3052 slot, 1* M.2 E-Key 2230 slot
IO interface	Watchdog	0 ~ 256 seconds programmable
	Operating system	Win10, Win11, Linux
	Serial port	COM1/2/3/4/5: RS232, COM6: RS485 (optional RS232)
	Ethernet	2* RJ45, 10/100/1000 Mbps
	Audio	1* Mic-in/Line-out (2 in 1, 3.5mm Jack)
	USB	6* USB3.0, 2* USB2.0,
	Display	2* HDMI (Max. support 4096 *2160 @30Hz)
Structure	Power input	1* 2 pin, phenix terminal
	GPIO	8* GPIO (Optional via 1* DB9)
	Box structure and surface	Aluminum alloy, anodizing and anti-scratch treatment
	Color	Silver
	Mount method	Desktop, wall mount
	Cooling system	Finned aluminum heatsinks
	Indicator & Button	Power switch, Power LED, HDD LED
	Dimension	236.5 * 150.0 * 60.0 (mm)
Power & Environmental	Net weight	About 1.6 KG
	Operating temp.	-20 ~ + 70 (°C)
	Storage temp.	-40 ~ + 80 (°C)
	Humidity	10 ~ 95% @ 10C (No condensation)
	Vibration	50 ~ 500 Hz, 1.5G, 0.15mm peak to peak
	Shock	10G/Peak (11 ms)
	Power input	DC 12V (Optional wide DC 9~36V)
	Power consumption	About 25W
	Certificate	CE/FCC/ROHS

DIMENSIONAL DRAWING:TBOX-2EXX/2TXX

Dimension



DIMENSIONS IN MILLIMETERS

TAICENN
DATE:2022.10.19
REV:A Unit:mm

Ordering information

Part no.	Description
TBOX-2T25	Intel Core i5-1155G7 Quad-core processor, 2 GbE, 6 USB3.0, 2 USB2.0, 6 COM, 2 HDMI, Audio Jack, DC 12V, PSU
TBOX-2T25W	Intel Core i5-1155G7 Quad-core processor, 2 GbE, 6 USB3.0, 2 USB2.0, 6 COM, 2 HDMI, Audio Jack, DC 9~36V, No PSU by default
Optional Accessories	Description
Memory	SO-DIMM, DDR4, 4GB/8GB/16GB/32GB
	M.2 SSD: 128GB/256GB/512GB
Storage	2.5" SATA SSD: 128GB/256GB/512GB/1TB
	2.5" HDD: 1TB/2TB/4TB
	Wi-Fi module, with Antenna
Wireless	Wi-Fi module with BT integrated, with antenna
	All network 4G module, with Antenna
	5G network module, with Antenna
Power Supply	Optional PSU for TBOX-2T25W (If needed only)

Packing List

Description	Quantity
Standard TBOX-2T25 Box PC Product	1 piece
60W PSU (Power supply)	1 set
Power Cable & Plug	1 set