



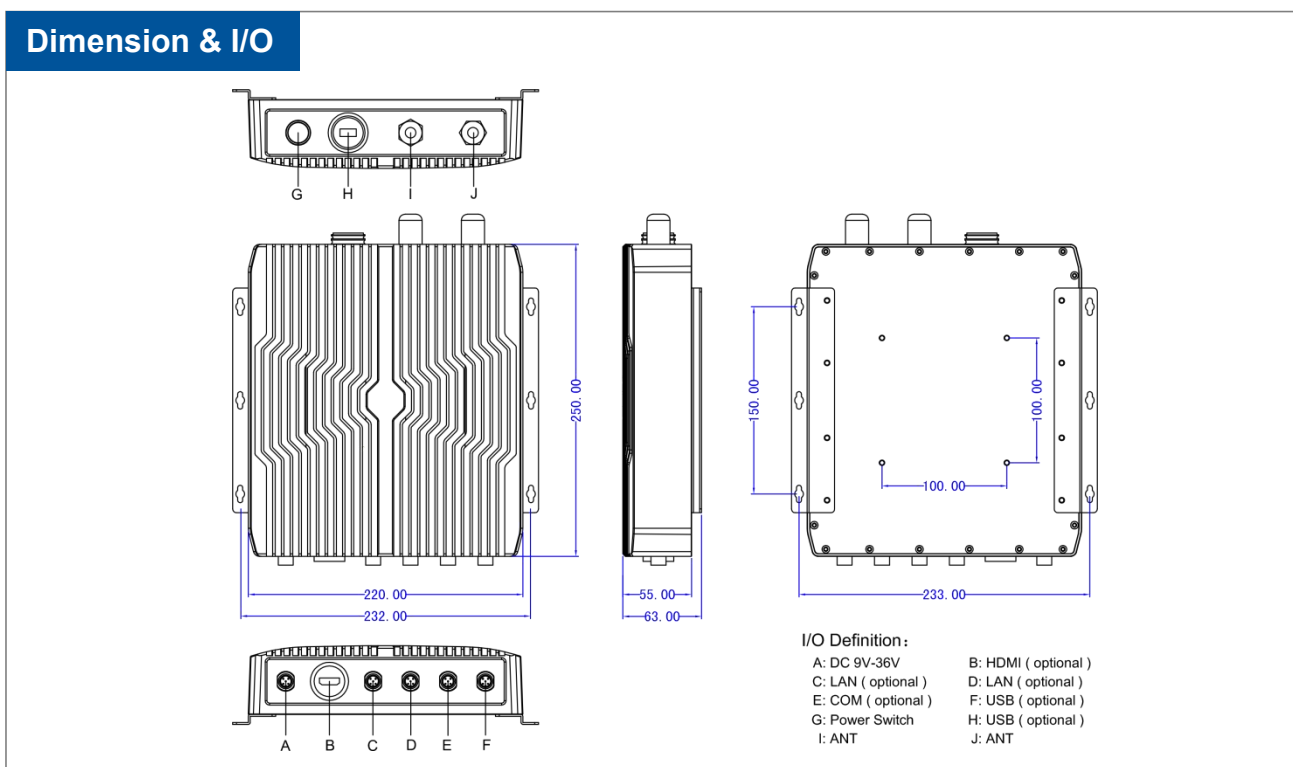
Features

- 12th Gen Intel® Alder Lake Core™ i3/i5/i7 processor
- 2 x DDR5 4800MHz SODIMM, MAX 64GB
- 1 x 2.5 SATA HDD, 1 x M.2 2280 NVMe or SATA SSD
- 1 x M2.0 (2230, Wifi+BT), 1 x M2.0 (3042/3052, 4G/5G)
- M12 I/O ports: 1 x HDMI / 2 x LAN / 2 x USB / 1 x COM
- Aluminum alloy casing, Full system IP67 level dustproof & waterproof
- Supports TPM2.0 security encryption and iVpro technology
- Wide Operating Temperature -30°C to 70°C
- 9V to 36V DC Wide Range Power Input, Supporting OVP / OCP / RPP

Specifications

System			
CPU	12th Gen Intel® Core™ i3-1215U	12th Gen Intel® Core™ i5-1235U	12th Gen Intel® Core™ i7-1255U
L2 Cache	10MB	12MB	12MB
TDP	15W	15W	15W
Graphics	Intel® UHD Graphics	Intel® Iris® Xe Graphics	Intel® Iris® Xe Graphics
System Chipset	Integrated with Intel® SoC		
Memory	DDR5 4800 MHz, Dual Channel SODIMM x 2, up to 64GB		
Harddisk	1 x M.2 120G SSD (250G / 500G / 2TB SSD) / 1 x 2.5" SATA		
Network	Intel® 226-V / I219-LM GbE LAN		
Audio	Realtek ALC897 Audio controller		
TPM	TPM 2.0		
Watchdog Timer	Software Programmable Supports 1~255 sec. System Reset		
Operation System	Windows 10 / 11, Linux, Ubuntu		
I/O			
VIDEO	1 x H-DMI		
Ethernet	2 x M12 Waterproof Giga LAN RJ45 Connector		
USB	2 x M12 Waterproof Connector For USB2.0		
COM	1 x M12 Waterproof Connector For COM		
Wireless Network	1 x WiFi / Bluetooth , Optional (4G / 5G)		
Other I/O Interface	1 x Power Switch		
Expansion			
M.2	1*M.2 (Key-E, 2230, PCIe+USB, Wifi+BT)		
	1*M.2 (Key-B, 3042/3052, PCIe/ USB 3.0+USB2.0, 4G/5G)		
	1*M.2 (Key-M, 2280, NVMe/ SATA, SSD)		
SIM Socket	1x SIM Socket		
Power			
Power Input	1 x M12 Waterproof Connector For 9V~36V DC		
Power Mode	Support AT, ATX Mode		
Power Protection	OVP (Over Voltage Protection) OCP (Over Current Protection) RPP (Reverse Polarity Protection)		
Power Consumption	≤45W		

Physical	
Material	Aluminum Alloy Shell
Color	Grey / Silver / Black (optional)
Mounting	220 x 250 x 55 mm
Packing Size	360 x 180 x 320 mm
Weight (Net)	2.5 KG
Environment	
Operating Temperature	-30~70°C (-22~158°F)
Storage Temperature	-40~85°C (-40~185°F)
Relative Humidity	10% to 95% (non-condensing)
Vibration Protection	1.5 Grms, IEC 60068-2-64, random, 5 ~ 500 Hz, 1 hr/axis
IP Level	IP67 / IP69K
EMC	CE, FCC, Class A, ROHS



Ordering info

Available models	Description
EFIC-60003A	Embedded Fanless Industrial Computer 12th Gen Intel® Alder Lake Core™ i3-1215U 1.2GHz Processor
EFIC-60005A	Embedded Fanless Industrial Computer 12th Gen Intel® Alder Lake Core™ i5-1235U 1.3GHz Processor
EFIC-60007A	Embedded Fanless Industrial Computer 12th Gen Intel® Alder Lake Core™ i7-1255U 1.7GHz Processor

Packing list

1 x Standard product
1 x 60W PSU (Power Supply)
1 x Fixed support
2 x M12 Waterproof USB Cable 2M
1 x M12 Waterproof COM Cable 2M
2 x M12 Waterproof LAN Cable 2M
1 x Waterproof HDMI Cable 2M
1 x CD-ROM