

# MR-BC05-0M0B

## Specification

Marine Grade, Aluminum cover Box-PC, Intel® 11 Gen. i3, i5, i7 processors



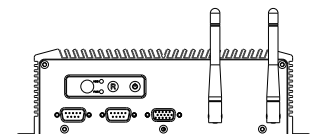
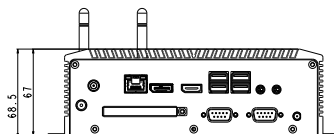
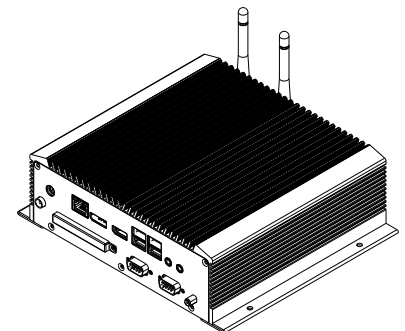
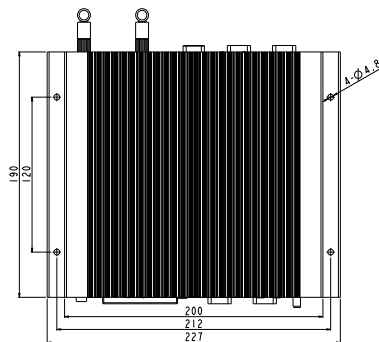
### Features

- Intel® Tiger Lake
- Fanless Solution
- Intel® 11 Gen. i3, i5, i7 processors
- Support DDR4-3200 MHz, 2 \* non-ECC SO-DIMM Slot
- Memory Max. Capacity 64GB
- I/O: 2 x HDMI, 6 x USB 3.0, 2 x LAN, 1 x Line-out
- 2 \* Intel I225-V GBE LAN Chip (RJ45, 10/100/1000 Mbps)
- Security support TPM 2.0 onboard IC

### Specification

Standard Color	Sliver Black
Construction	Aluminum extrusion and heavy-duty steel
CPU	Intel® 11 Gen. i3, i5, i7 processors
System Memory	Support DDR4-3200 MHz, 2 * non-ECC SO-DIMM Slot, Mac 64GB
Chipset	Intel® H510
OS Support	Windows 10, 11, Linux
System I/O Outlet	2 x HDMI 6 x USB3.0 2 x LAN 1 x Line-out
Storage	1*SATA3.0
Watchdog Timer	Reset: 1 sec. ~ 255 min. and 1 sec. or 1 in./step
Expansion Interface	1 * M.2 Key-M(NVMe SSD 2280),1 * M.2 Key-B Slot, 1 * M.2 Key-E Slot
Communication (Option)	WiFi, Bluetooth, and 4G / 5G
Power	12 VDC; 2.5 watts
Operating Temperature	-10°C~+55°C (13°F~+ 130°F)
Storage Temperature	- 20°C~+ 80°C (- 68°F~+ 176°F)
Humidity	0%~90%
Dimensions	200 x 190 x 68.5mm
Weight	TBD

### Dimensions



**Winsonic**®

Winsonic Electronics CO.,LTD. TEL:886-3-3704789 FAX:886-3-3704722 E-mail:sales@ewinsonic.com  
No.290-1 Wun-Jhong Rd. Taoyuan City, Taoyuan Taiwan R.O.C