

Industrial Touch Panel PC - 15"



Features

- Optional CPU Intel Celeron Quad-core/Core i3
- 10 points touch screen
- Optional RAM and SSD
- Optional Windows/ubuntu OS
- Can be embedded or vesa mount
- Apply for Digital Signage/KIOSK/Queuing System

Introduction



T-BOX-PPC-15C is a compact touch panel pc equipped with Optional CPU, RAM and SSD, 15" Industrial LED display and multi-touch glass sensor. It designed with IP65-rated front panel and back cover that protects against water and dustingress. T-BOX-PPC-15C panel pc support various OS including Linux and Windows to ensure easy deployment for diverse applications, which makes it ideal for POS, Digital signage, KIOSK Terminal.

Specification

General	
- Certification	CE,FCC,ROHS,ISO
- Dimensions	378*297*60.8mm
- Power Input	AC100-240V.50-60HZ
- Power Output	DC12V 2A~5A
- Mount Options	Wall Mount/Embedded Vesa Mount/Vertical Stand
- Weight (Net)	7.5kg

LED Display	
- Interface Type	LVDS
- Panel size	15"
- Max. Resolution	1024*768
- Max. Colors	16.7M (6-bit+Hi-FRC)
- Treatment	Anti-Glare
- Brightness	350nits
- Viewing Direction	Full Viewing
- Aspect Ratio	4:3

System Kernel	
- CPU	Intel Celeron Quad-core Intel Core i3
- RAM	DDR3 2GB/4GB/8GB
- SSD	16/32/64/128/256/512GB
- OS Support	Windows/Ubuntu

Touchscreen	
- Touch Points	10 Points
- Type	Capacitive Touch

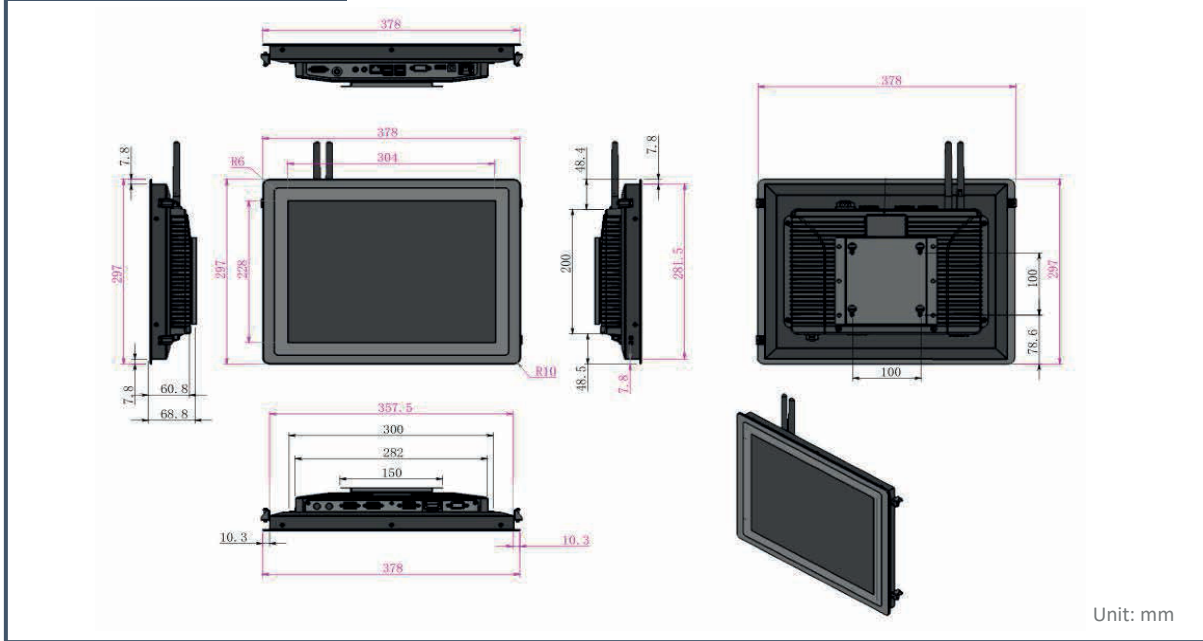
Interface(Depends on the motherboard)	
- Standard	1*12V DC_JACK input, 1*VGA,1*HDMI, 1*Audio input& output 4*USB(Upgradable) 1*RJ45(Upgradable) 1*RS232(Upgradable)
- Optional I/O	RS485, LPT, Phoenix terminal(Replace DC)
- Optional peripherals	Camera, SPK, Sensor, NFC, RFID, Fingerprint recognition module

Environment	
- Operation Temperature	-20 ~ 70
- Storage Temperature	-10 ~ 60
- Operation Humidity	10% ~ 80%
- Storage Humidity	10% ~ 90%

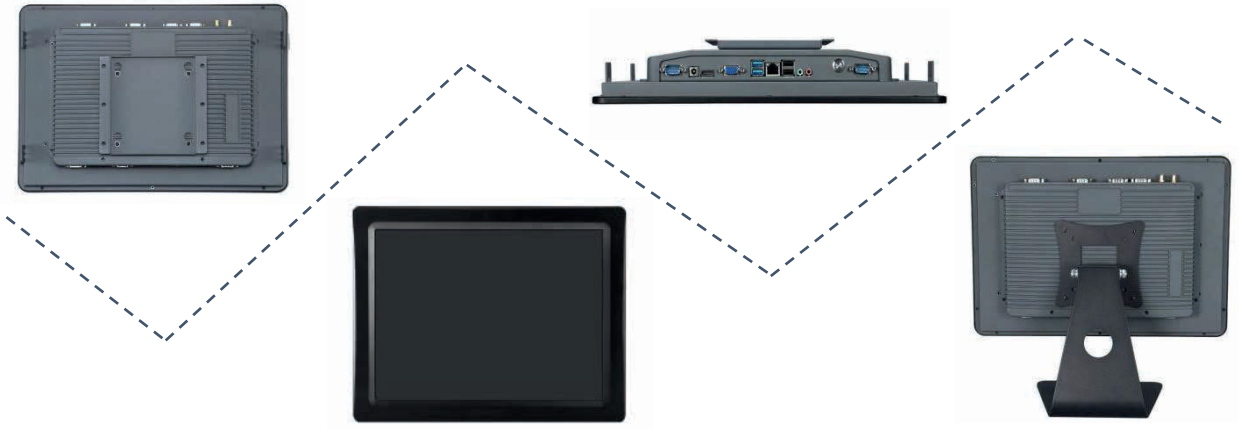
Nota: Las especificaciones estan sujetas a cambio sin notificación previa



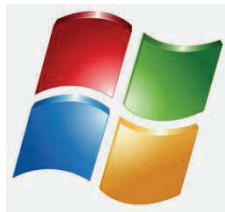
Dimension



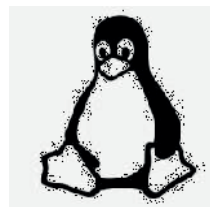
Product Picture



Embedded OS



Windows



Linux

Nota: Las especificaciones estan sujetas a cambio sin notificación previa

